



TAI-SAW TECHNOLOGY CO., LTD.

No. 3, Industrial 2nd Rd., Ping-Chen Industrial District,
Taoyuan, 324, Taiwan, R.O.C.

TEL: 886-3-4690038 FAX: 886-3-4697532

E-mail: tstsales@mail.taisaw.com Web: www.taisaw.com

Approval Sheet For Product Specification

Issued Date:

Product Name: SAW Filter 1090MHz SMD 3.8x3.8 mm

TST Parts No.:TA0232A

Customer Parts No.:_____

Company: _____
Division: _____
Approved by : _____
Date: _____

Checked by: _____ Anne chen

Approval by: _____ Francis Chen

Date: _____ 2007/09/19



TAI-SAW TECHNOLOGY CO., LTD.

No. 3, Industrial 2nd Rd., Ping-Chen Industrial District,
Taoyuan, 324, Taiwan, R.O.C.

TEL: 886-3-4690038 FAX: 886-3-4697532

E-mail: tstsales@mail.taisaw.com Web: www.taisaw.com

SAW Filter 1090 MHz

MODEL NO.: TA0232A

REV. NO.:3

A. MAXIMUM RATING:

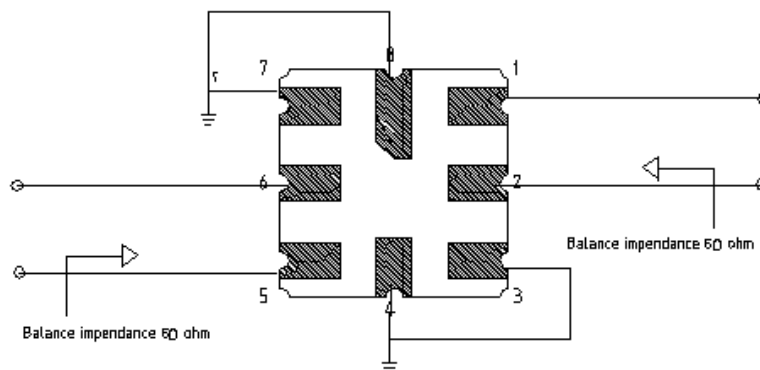
1. Input Power Level: 0 dB_m
2. DC voltage: 0 V
3. Operating Temperature: -45°C to +85°C
4. Storage Temperature: -40°C to +85°C

RoHS Compliant
Lead free
Lead-free soldering

B. CHARACTERISTICS:

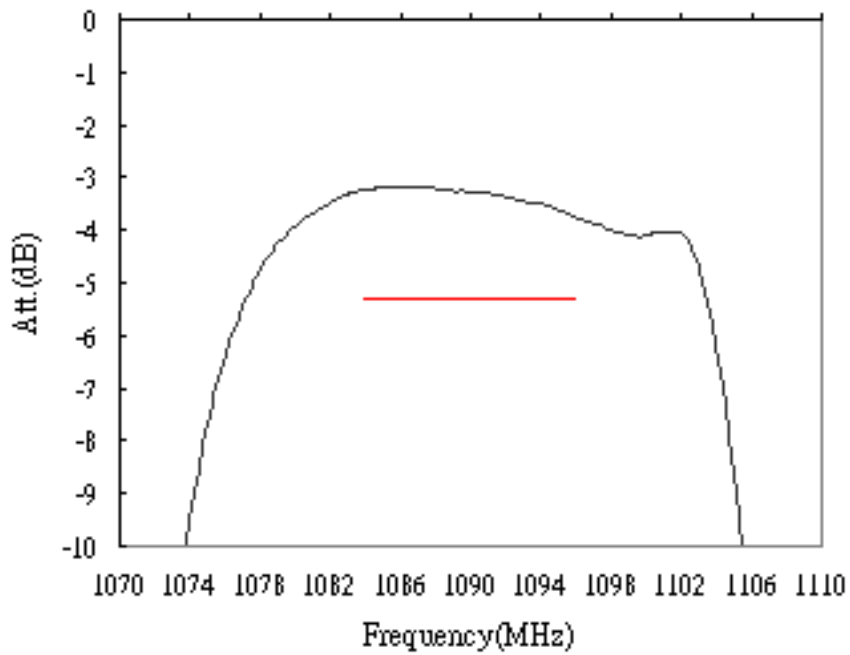
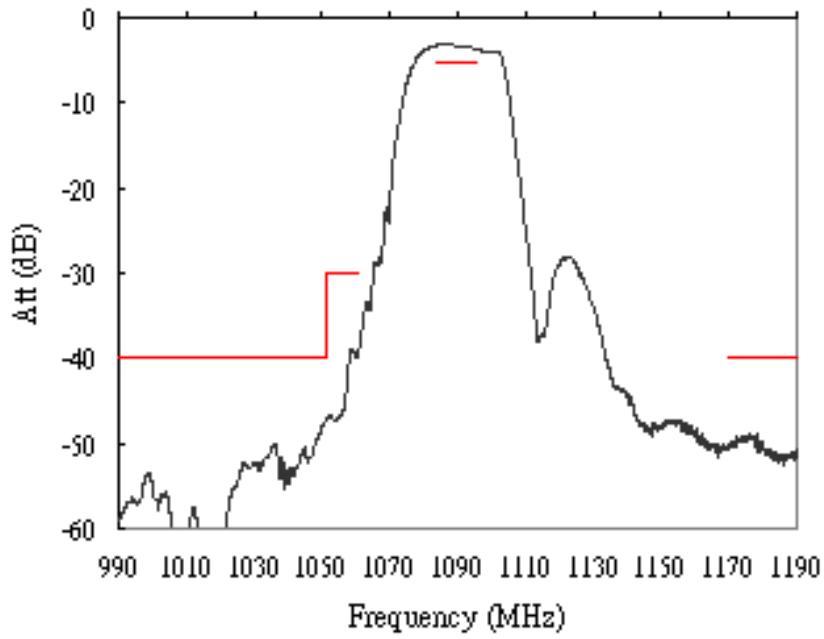
Item			Min.	Typ.	Max.
Center frequency	Fc	MHz	-	1090	-
Insertion loss	1084 ~ 1096 MHz	IL (dB)	-	3.9	5.3
Amplitude ripple	1084 ~ 1096 MHz	(dB)	-	0.6	1.5
Attenuation (Reference level from 0 dB)					
	500 ~ 924 MHz	(dB)	45	48	-
	924 ~ 944 MHz	(dB)	45	50	-
	944 ~ 1051 MHz	(dB)	40	47	-
	1051 ~ 1061 MHz	(dB)	30	36	-
	1170 ~ 2000 MHz	(dB)	40	43	-
Balanced to balanced operation					
Source impedance	Z _s	(Ω)	-	50	-
Load impedance	Z _L	(Ω)	-	50	-

C. MEASUREMENT CIRCUIT:

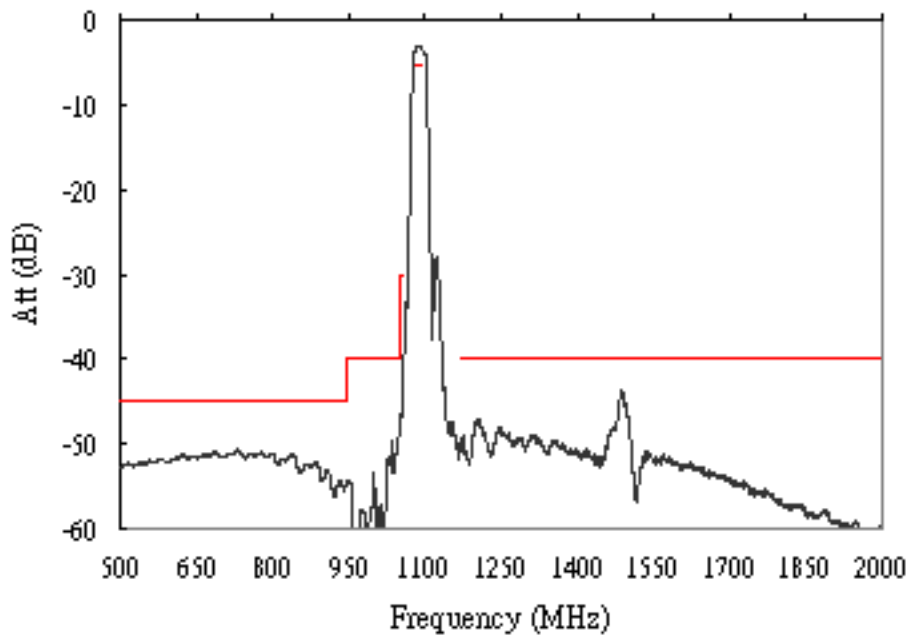


D. Transfer Function :

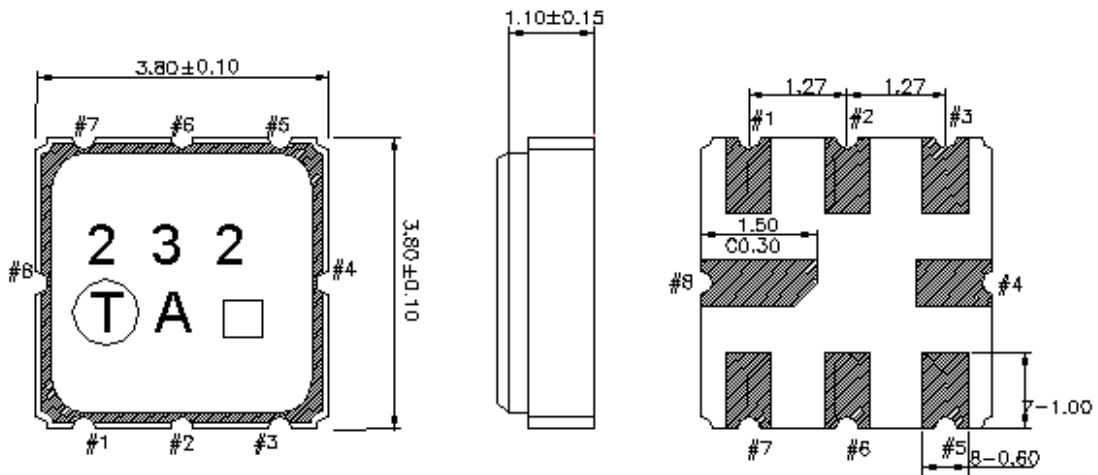
Narrowband



Wideband



E.OUTLINE DRAWING:

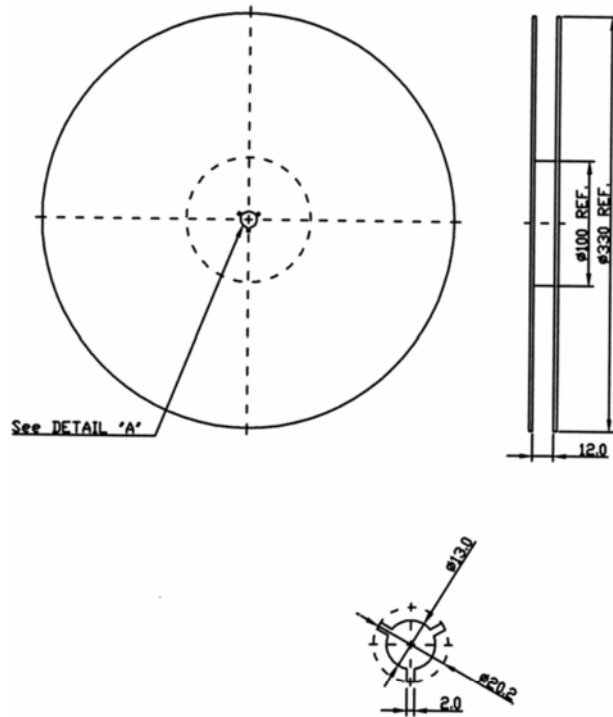


- #1,2 : Balance Input
- #5,6 : Balance Output
- #3,4,7,8: Ground
- : Date Code
- Unit : mm

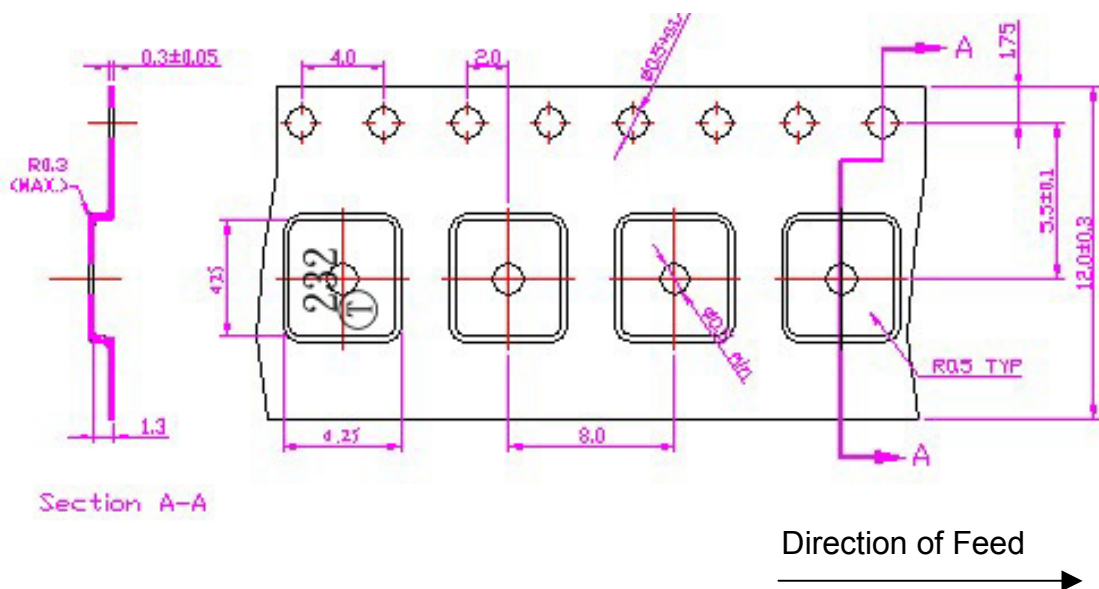


F. PACKING:

1. REEL DIMENSION



2. TAPE DIMENSION



I. RECOMMENDED REFLOW PROFILE :

